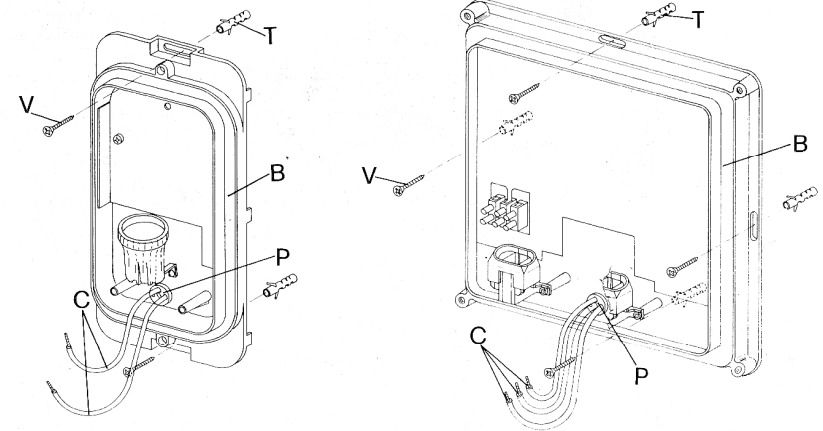


# TOPAZIO, PERLA, SMERALDO

## APPARECCHIO DI ILLUMINAZIONE IP 55 WATERPROOF LIGHT FITTINGS LAMPES D'ECLAIRAGE ETANCHES

### ISTRUZIONI DI MONTAGGIO MOUNTING INSTRUCTIONS NOTICE D'INSTRUCTION



V = 4,0 x 30  
T = 6 x 30  
(incluso/included/inclus)

#### Fissaggio a parete

- Montare il passacavo (P) sulla base (B) ed inserirvi i conduttori (C).
- Fissare la base (B) a mezzo viti (V) e tasselli (T).

#### Wall mounting

- Provide to fit (P) cable in let on (B) base and put through the (C) conductors.
- Fix the (B) base by (V) screws and (T) bosses use.

#### Installation au mur

- Monter la chaumard (P) sur la base (B) et introduire les câbles (C).
- Fixer la base (B) par les vis (V) et les chevilles (T).